



MAGNUS

Clinical & Research Microscope

MX35iPRO

Microscope Masterclass

Precision for Clinical Excellence: A go to Solution for Clinical Microscopes



UIS2
World-leading optics

Find us on



www.magnusopto.com

User-Friendly Design & Outstanding Optical Performance



Plan Achromat objectives of 4x, 10x, 20x, 40x (spring), 100x (Spring, oil) with quintuple revolving Inward nosepiece



Abbe condenser for optimized contrast with marking for 4x, 10x, 20x, 40x & 100x



10X Eyepiece with FN 22mm



Stage side flap for safety



Siedentopf design trinocular observation tube adjustable upwards & downwards (Eyepoint height adjustment)



Angled arm enables comfortable carrying



30 degree inclined Trinocular head with Fixed Light Path (70:30)



Fine & Coarse focusing knobs on both sides



Locking pin for easy trinocular rotation



Built in Anti-Theft security lock slot (Security cable optionally available)

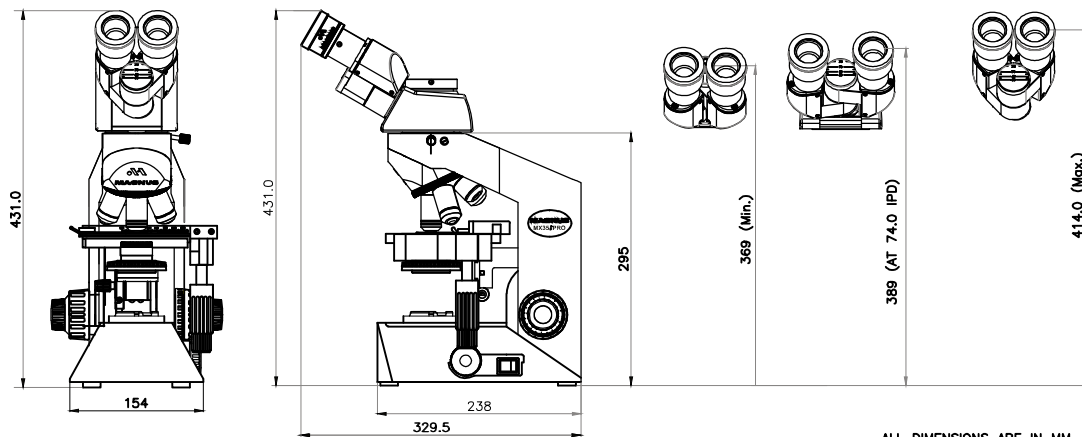
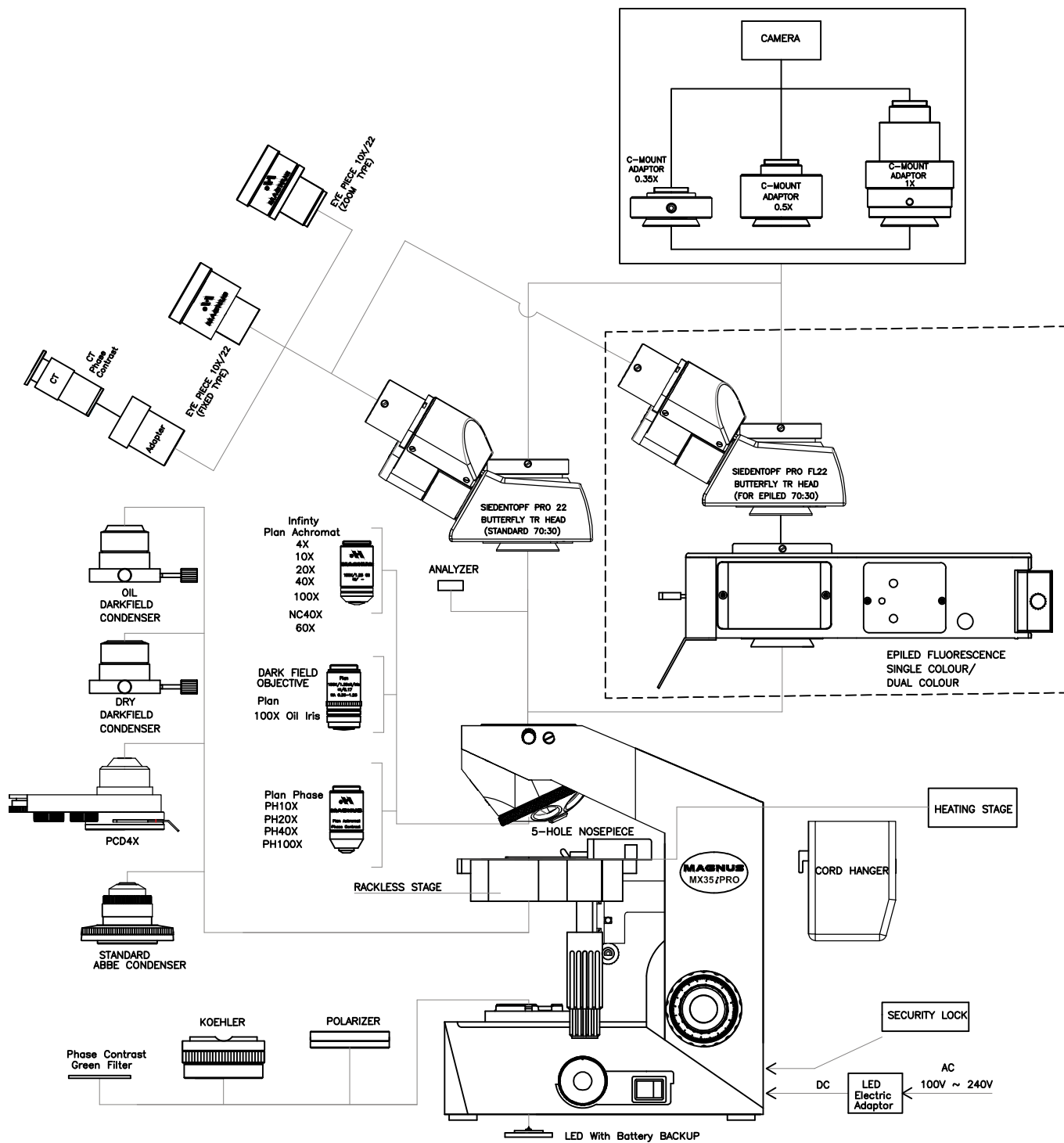


12V Adapter (Standard)



Cord Hanger / Basket

System Diagram



ALL DIMENSIONS ARE IN MM

Specifications

OPTICAL SYSTEM	UIS2 Infinity corrected plan optics		
BODY	Aluminium die-cast body with all critical movements based on ball bearing and wire guides thereby ensuring smooth & precise manipulation available in Premium Lavender Soft Feel, Standard Mistral Color, Premium Royal White Soft Feel, Premium Blue Soft Feel & Premium Purple Soft Feel		
MECHANICAL STAGE	Co-axial low drive mechanical rackless stage 125mm x 145mm with trasverse area of 76mm x 30mm with single slide holder, Stage Side Flap for safety		
FOCUSING SYSTEM	Co-axial coarse & fine controls with a focus adjustment & fine adjustment knobs Coarse Focus range 20mm Fine focus rotation 0.3mm		
CONDENSER HOLDER	Rack & pinion mounted condenser holder		
CONDENSER	Pre-centered abbe condenser with aperture iris diaphragm (N.A. 1.25) focusable with rack & pinion with marking 4x, 10x, 20x, 40x, 100x & a continuously variable iris diaphragm		
POWER SUPPLY	3W LED light source with 30,000 hrs LED Life (working hours) with Li-ion rechargeable battery back-up of approx 4-5 hours. Auto offfeatures (Eco Friendly) gets activated after 30 minutes when intensity controller is not touched RED: Indicating When Charging GREEN: Indicating Running on Battery BLUE: Need to charge the Microscope Cord Hanger / Basket provided for storage of DC Adaptor & Power Cord		
NOSEPIECE	Quintuple revolving Inward nosepiece based on precision ball-bearing mechanism with positive click stop		
OBJECTIVES	Plan Achromat Objectives	N.A	W.D
	4x	0.10	18.5mm
	10x	0.25	10.6mm
	20x	0.45	1.67mm
	40x (spring loaded)	0.65	0.6mm
	100x (oil, spring loaded)	1.25	0.13mm
INCLINED OBSERVATION HEAD	Siedentopf trinocular observation tube adjustable upwards & downwards (eyepoint height adjustment) inclined at 30 degree, 360 degree rotatable. Interpupillary distance adjustment range: 48-75mm. Facility of locking mechanism to prevent observation tube from falling off. Fixed light path 70:30		
EYEPIECE	10X (FN 22mm) paired eyepiece with eyegaurds. One Eyepiece with Diopter adjustment & One fixed type. The unique optical design provides relief from eye fatigue & renders wide-field images of utmost clarity. Compatible with optionally available eyepiece micrometer		
Accessories (Optional)	Phase Contrast attachment Turret type - PCD4x, Darkfield Attachment, EPILED, köhler attachment, Polarizing Attachment, MagCAM DC & HD Series, C-Mount Camera Adaptor, Heating Stage, Security Lock		



LED Fluorescence Attachment



Compatible Turret Phase Contrast Attachment



MagCAM DC Series

Specifications and appearances are subject to change without any notice or obligation on the part of the Manufacturer

MAGNUS OPTO SYSTEMS INDIA PVT. LTD.

Works: A-3, Sector-81, Phase II, Noida-201305, Uttar Pradesh, India

Corporate Oce: A-5, Mohan Co-operative Indl Estate, Mathura Road, New Delhi - 110044 India

Phone: +91-9717710061 | Email : export@magnusopto.com | Website: www.magnusopto.com



ISO 9001: 2015
Certified Company



ISO 13845: 2016
Certified Company